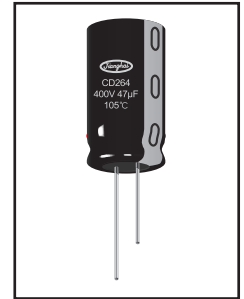
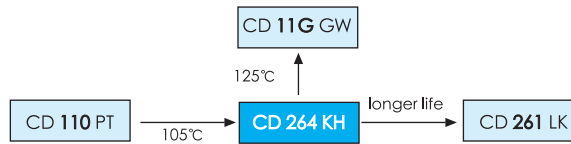


3000h at 105°C

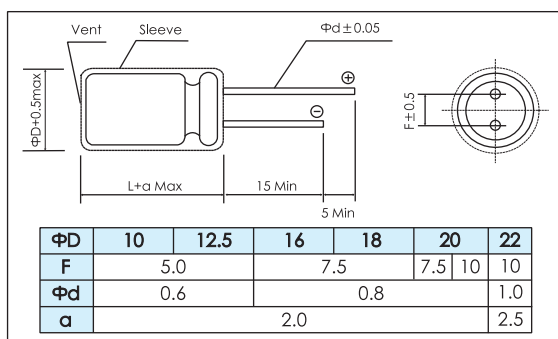
- High rated voltage, up to 500V
- High-reliability and professional applications
- Lighting, monitors, general industrial
- Filtering of high voltages in power supplies



Items	Characteristics	
Operating Temperature Range (°C)	-40 ~ +105	-25 ~ +105
Voltage Range (V)	160 ~ 250	350 ~ 500
Capacitance Range (µF)	1 ~ 220	
Capacitance Tolerance (20°C, 120Hz)	± 20%	
Leakage Current (µA)	After 1 minute at 20°C application of rated voltage, leakage current is not more than: $CV \leq 1000 : I \leq 0.06CV + 40$ $CV > 1000 : I \leq 0.03CV + 70$ C: Nominal Capacitance (µF) V: Rated Voltage (V)	
Dissipation Factor (20°C, 120Hz)	WV (V)	160 200 250 350 400 420 450 500
	Tan δ (max)	0.12 0.15 0.20
Stability at Low Temperature (Impedance Ratio at 120Hz)	Rated Voltage (V)	160 200 250 350 400 420 450 500
	Impedance Ratio	$Z_{-25°C} / Z_{+20°C}$: 3 6 8 $Z_{-40°C} / Z_{+20°C}$: 4 -

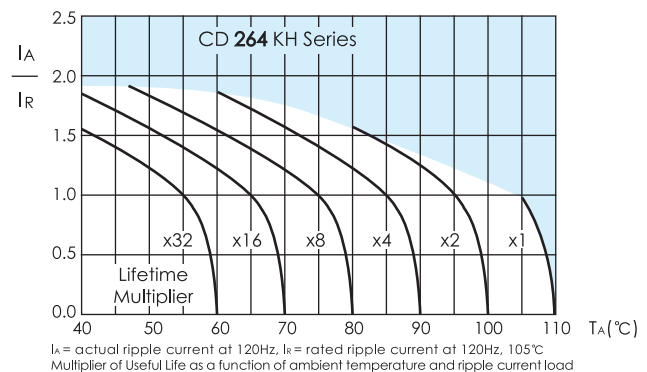
	Useful Life		Load Life	Endurance Test	Shelf Life
Lifetime	6000h	>70000h	3000h	4000h	1000h
Leakage Current	Not more than specified value		Not more than specified value	Not more than specified value	Not more than specified value
Capacitance Change	Within ± 30% of initial value		Within ± 20% of initial value	Within ± 20% of initial value	Within ± 20% of initial value
Dissipation Factor	Not more than 300% of specified value		Not more than 300% of specified value	Not more than 300% of specified value	Not more than 200% of specified value
Condition: Applied Voltage Applied Current Applied Temperature	U_R I_R 105°C	U_R $1.4 \times I_R$ 60°C	U_R I_R 105°C	U_R $I_R = 0$ 105°C	$U_R = 0$ $I_R = 0$ 105°C After test: U_R to be applied for 30min >24h before measurement

Dimensions



mm

Lifetime Diagram



Frequency Coefficient

Frequency Cap (µF)	50/60Hz	120Hz	1kHz	10kHz	50kHz	100kHz
1.0 ~ 10	0.8	1.0	1.75	2.0	2.4	2.5
22 ~ 47	0.8	1.0	1.6	1.8	1.9	2.0
56 ~ 220	0.8	1.0	1.3	1.4	1.55	1.6

Temperature Coefficient

Temperature(°C)	+70	+85	+105
Coefficient	1.80	1.40	1.00

CD 264 KH SERIES



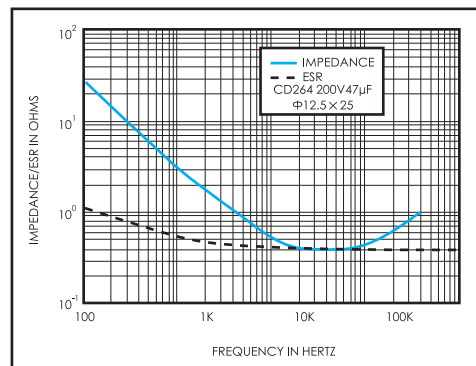
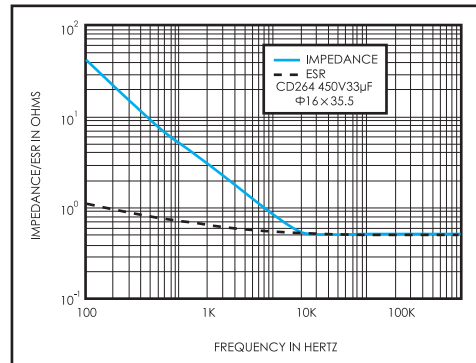
Ratings for CD 264 KH Series

U _s (Surge Voltage) Code	Rated Capacitance	Max ESR 20°C, 120Hz	Typ ESR 20°C, 120Hz	Rated Ripple Current 105°C, 120Hz	Size ΦD x L	P/N
(V)	(μF)	(Ω)	(Ω)	(mArms)	(mm)	-
160 (200) 2C	10	15.9	5.3	95	10×12.5	ECR2CKH100M□□100012
	22	7.2	2.4	145	10×16	ECR2CKH220M□□100016
	33	4.8	1.6	190	10×20	ECR2CKH330M□□100020
	47	3.4	1.1	280	12.5×20	ECR2CKH470M□□125020
	100	1.6	0.5	380	18×20	ECR2CKH101M□□180020
	220	0.7	0.2	630	16×25.5	ECR2CKH101M□□160025
200 (250) 2D	4.7	33.9	11.2	60	10×12.5	ECR2DKH4R7M□□100012
	10	15.9	5.3	95	10×16	ECR2DKH100M□□100016
	22	7.2	2.4	145	10×20	ECR2DKH220M□□100020
	33	4.8	1.6	190	12.5×20	ECR2DKH330M□□125020
	47	3.4	1.1	280	12.5×25	ECR2DKH470M□□125025
	100	1.6	0.5	410	16×20	ECR2DKH470M□□160020
250 (300) 2E	4.7	33.9	11.2	60	10×12.5	ECR2EKH4R7M□□100012
	10	15.9	5.3	105	10×16	ECR2EKH100M□□100016
	22	7.2	2.4	180	12.5×20	ECR2EKH220M□□125020
	33	4.8	1.6	250	12.5×25	ECR2EKH330M□□125025
	47	3.4	1.1	300	16×20	ECR2EKH330M□□160020
	100	1.6	0.5	410	18×20	ECR2EKH470M□□180020
350 (400) 2V	4.7	33.9	11.2	60	10×12.5	ECR2EKH101M□□100012
	10	15.9	5.3	105	10×16	ECR2EKH101M□□100016
	22	7.2	2.4	180	12.5×20	ECR2EKH220M□□125020
	33	4.8	1.6	250	12.5×25	ECR2EKH330M□□125025
	47	3.4	1.1	300	16×25.5	ECR2EKH470M□□160025
	100	1.6	0.5	410	18×20	ECR2EKH470M□□180020
400 (450) 2G	2.2	90.5	29.9	40	10×12.5	ECR2GKH2R2M□□100012
	3.3	60.3	19.9	43	10×12.5	ECR2GKH3R3M□□100012
	4.7	42.3	14	64	10×16	ECR2GKH3R3M□□100016
	10	19.9	6.6	120	10×20	ECR2GKH4R7M□□100016
	22	9	3	200	12.5×20	ECR2GKH4R7M□□100020
	33	6	2	245	18×20	ECR2GKH100M□□100020
420 (470) 2X	1	265.4	87.6	23	10×12.5	ECR2GKH100M□□125020
	2.2	120.6	40	33	10×12.5	ECR2GKH220M□□125025
	3.3	80.4	26.5	45	10×16	ECR2GKH330M□□180020
	4.7	56.5	18.6	54	10×16	ECR2GKH330M□□160025
	10	26.5	8.8	95	10×20	ECR2GKH470M□□160025
	22	12.1	4	170	12.5×20	ECR2GKH470M□□160031
450 (500) 2W	1	265.4	87.6	30	10×12.5	ECR2GKH470M□□180025
	2.2	120.6	40	38	10×16	ECR2GKH470M□□180031
	3.3	80.4	26.5	45	10×16	ECR2GKH470M□□160031
	4.7	56.5	18.6	54	10×16	ECR2GKH470M□□180025
	10	26.5	8.8	95	10×20	ECR2GKH680M□□180025
	22	12.1	4	170	12.5×20	ECR2GKH820M□□180031
450 (500) 2W	1	265.4	87.6	30	10×12.5	ECR2GKH101M□□180036
	2.2	120.6	40	38	10×16	ECR2GKH101M□□180036
	3.3	80.4	26.5	45	10×16	ECR2GKH101M□□180036
	4.7	56.5	18.6	54	10×16	ECR2GKH101M□□180036
	10	26.5	8.8	95	10×20	ECR2GKH101M□□160045
	22	12.1	4	170	12.5×20	ECR2GKH101M□□160045

U _s (Surge Voltage) Code	Rated Capacitance	Max ESR 20°C, 120Hz	Typ ESR 20°C, 120Hz	Rated Ripple Current 105°C, 120Hz	Size ΦD x L	P/N
(V)	(μF)	(Ω)	(Ω)	(mArms)	(mm)	-
450 (500) 2W	10	26.5	8.8	110	12.5×20	ECR2WKH100M□□125020
		26.5	8.8	140	12.5×25	ECR2WKH100M□□125025
		12.1	4	175	12.5×25	ECR2WKH220M□□125025
	22	12.1	4	220	16×25.5	ECR2WKH220M□□160025
		8	2.7	245	16×25.5	ECR2WKH330M□□160025
		8	2.7	280	16×31.5	ECR2WKH330M□□160031
	33	8	2.7	280	16×31.5	ECR2WKH330M□□160031
		5.6	1.9	420	16×31.5	ECR2WKH470M□□160031
		4.7	1.7	450	16×31.5	ECR2WKH560M□□160031
	56	4.7	1.7	450	16×31.5	ECR2WKH560M□□160031
		4.7	1.7	450	18×25.5	ECR2WKH560M□□180025
		3.9	1.3	590	18×31.5	ECR2WKH680M□□180031
	68	3.9	1.3	590	16×36	ECR2WKH680M□□160036
		3.2	1.1	650	18×31.5	ECR2WKH820M□□180031
		3.2	1.1	650	18×36	ECR2WKH820M□□180036
	82	3.2	1.1	650	16×40	ECR2WKH820M□□160040
		2.7	0.9	760	18×36	ECR2WKH101M□□180036
		2.7	0.9	760	16×45	ECR2WKH101M□□160045
100	2.2	0.7	830	18×40	ECR2WKH121M□□180040	
	2.2	0.7	830	16×50	ECR2WKH121M□□160050	
	1.8	0.6	920	20×41	ECR2WKH151M□□200041	
150	1.8	0.6	920	18×46	ECR2WKH151M□□180046	
	1.8	0.6	920	16×60	ECR2WKH151M□□160060	
	1.5	0.5	1100	22×41	ECR2WKH181M□□220041	
500 (550) 2H	1	265.4	106.2	32	10×12.5	ECR2HKH010M□□100012
		120.6	48.3	49	10×16	ECR2HKH2R2M□□100016
		80.4	32.2	68	10×20	ECR2HKH3R3M□□100020
	2.2	56.5	22.6	84	12.5×20	ECR2HKH4R7M□□125020
		26.5	10.6	145	12.5×25	ECR2HKH100M□□125025
		12.1	4.8	230	16×25.5	ECR2HKH220M□□160025
	3.3	8	3.2	295	16×31.5	ECR2HKH330M□□160031
		5.6	2.3	415	18×31.5	ECR2HKH470M□□180031
		5.6	2.3	415	16×36	ECR2HKH470M□□160036
	4.7	4.7	1.9	460	18×31.5	ECR2HKH560M□□180031
		4.7	1.9	460	16×40	ECR2HKH560M□□160040
		3.9	1.6	580	18×36	ECR2HKH680M□□180036
	56	3.9	1.6	580	18×40	ECR2HKH680M□□180040
		3.9	1.6	580	16×45	ECR2HKH680M□□160045
		3.2	1.3	650	18×40	ECR2HKH820M□□180040
	82	3.2	1.3	650	16×55	ECR2HKH820M□□160055
		2.7	1.1	820	20×41	ECR2HKH101M□□200041
		2.7	1.1	820	18×46	ECR2HKH101M□□180046
100	2.7	1.1	820	16×60	ECR2HKH101M□□160060	
	2.2	0.9	860	22×45	ECR2HKH121M□□220045	
	1.8	0.7	930	22×45	ECR2HKH151M□□220045	

Customer products are available on request.

Typical Curves



MINIATURE